



horizontal multi-stage jet/centrifugal pumps



This product is Listed to UL Standards for Safety by Underwriters Laboratories Inc. (UL).



HMS Series Multi-Stage Jet Pumps are the highest performing pumps available in its category. The HMS Series Convertible Jets utilize the STA-RITE built-in regulator, offering easier priming and better range of performance from a complete line of Shallow Well, 4" Double Pipe, 2" and 3" Single Pipe Jet Packages. Pump may also be operated as a self-priming centrifugal (to 25 ft.) to provide a wide range of high pressure applications.

APPLICATIONS

- **Water systems and sprinkling...** for homes, farms and cottages.

SPECIFICATIONS

- Body** – One-piece rugged cast iron
- Pump and Motor Shaft** – 416 stainless steel
- Impeller** – Polycarbonate
- Diffuser** – Corrosion-resistant cast iron
- Pressure Switch Pre-Set** – 30-50 PSI
- Suction Ports** – Drive-over-Suction

HMS SERIES

FEATURES

- Automatic Pressure Regulator** – Faster-acting and quieter, design eliminates “hunting” for correct drive pressure. New improved stem and guide are precisely molded to assure efficient, trouble-free performance on all deep wells. See ordering information (Deep well only).
- Quality Construction** – Close-grained cast iron pump body is rugged, one-piece unit, specially treated to resist corrosion. Drain port provided for easy winterizing.
- Precision-machined Diffusers** – Assure faster priming.
- Mechanical Shaft Seal** – Precision lapped and highly polished carbon-ceramic, stainless steel construction. Internal design guarantees continuous water lubrication for maximum protection.
- Polycarbonate Impellers** – Precision molded for perfect balance, and ultra-smooth for highest performance and efficiency.
- Motor Windings** – Superior insulation materials protect against excessive moisture and contaminants to ensure prolonged motor life.
- Dustproof Cover** – All electrical components are protected from dirt, dust and insects by a dustproof canopy. Ventilating air cannot contaminate vital switching components. This eliminates the most common cause of motor failure.
- Balanced Rotor** – Rotor is die cast under high pressures for uniform performance and greater efficiency; dynamically balanced.
- Heavy-duty Ball Bearings** – Shielded, permanently lubricated bearings are extensively tested to ensure extended life and smooth, quiet operation.
- Pump and Motor Shaft** – One piece threaded shaft for positive impeller drive and alignment. Shaft is stainless steel for maximum corrosion resistance.

ORDERING INFORMATION

Catalog Number	HP	Pipe Tapping Sizes			Stages	Motor Voltage	Approx. Wt. Lbs.
		Suct.	Drive	Disch.			
HMSD	3/4	1-1/4"	1"	1"	2	115/230	50
HMSE	1	1-1/4"	1"	1"	2	115/230	80
HMSF	1-1/2	1-1/4"	1"	1"	2	115/230	85

AUTOMATIC PRESSURE REGULATOR – DEEP WELL

Catalog Number	Description	Application	Approx. Wt. Lbs.
PKG 107	Regulator, tubing, pipe plug and compression fitting.	Required for ALL deep well installations.	4

Order pump and pressure regulator if required, from ordering information tables above. A jet package and the automatic pressure regulator, described above, are required on all deep well installations.

PRO-Source™ is a trademark of WICOR Industries.

In order to provide the best products possible, specifications are subject to change.



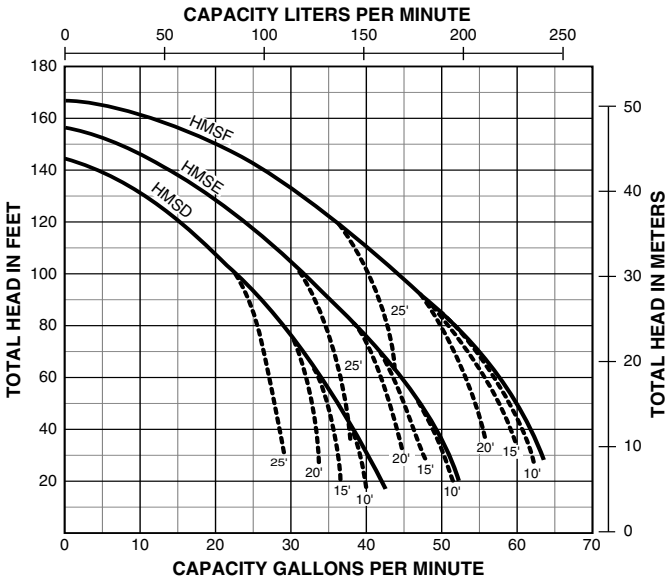
horizontal multi-stage jet/centrifugal pumps

PUMP PERFORMANCE SHALLOW WELL

Catalog Number	HP	Jet* Number	Uses Venturi	Uses Nozzle	Disch Press. PSI	Total Suction Lift Ft.				
						5'	10'	15'	20'	25'
HMSD	3/4	PKG 1 29SD	N32P-66B	J34P-41	20	9.6	8.2	7.0	5.8	3.9
					30	9.1	7.9	6.5	5.6	3.9
					40	8.8	7.7	6.3	5.6	3.9
					50	8.5	7.6	6.2	5.6	3.9
					60	7.7	7.3	6.2	5.6	3.9
					70	5.5	5.1	4.7	4.2	3.6
					80	3.5	3.1	2.8	2.3	1.9
					**S.O.	102	96	96	96	90
HMSE	1	PKG 1 10SD	N32P-67B	J34P-44	20	13.0	11.2	9.8	7.8	5.8
					30	12.5	11.0	9.5	7.6	5.7
					40	12.2	10.9	9.4	7.6	5.7
					50	12.1	10.8	9.2	7.6	5.7
					60	12.0	10.8	9.2	7.6	5.7
					70	10.2	9.6	8.6	7.4	5.7
					80	7.4	6.8	6.2	5.5	4.8
					**S.O.	108	108	108	102	102
HMSF	1-1/2	PKG 1 10SD	N32P-67B	J34P-44	20	15.9	13.3	12.2	9.6	7.0
					30	15.6	13.2	12.2	9.5	7.0
					40	15.3	13.1	12.1	9.4	6.9
					50	14.9	13.0	11.9	9.3	6.8
					60	14.4	12.9	11.7	9.2	6.7
					70	13.7	12.7	11.5	9.0	6.6
					80	12.6	12.1	10.8	8.7	6.4
					90	9.5	8.5	7.8	7.2	5.7
					100	5.9	5.0	4.4	3.8	3.2
					**S.O.	120	120	114	114	108

* Order Jet Package separately. **S.O. = Shut Off Pressure in PSI.

PUMP PERFORMANCE



Tested and rated in accordance with Water Systems Council standards.

NOTE: Pumps installed with a PRO-Source™ tank require a 100 PSI relief valve. Pumps installed with a conventional tank require a 75 PSI relief valve. Relief valve must be capable of relieving entire flow of pump at relief pressure.

NOTE: Dotted lines indicate performance reduction at high suction lift.

horizontal multi-stage jet/centrifugal pumps

PUMP PERFORMANCE (Capacity in Gallons Per Minute) CENTRIFUGAL APPLICATION

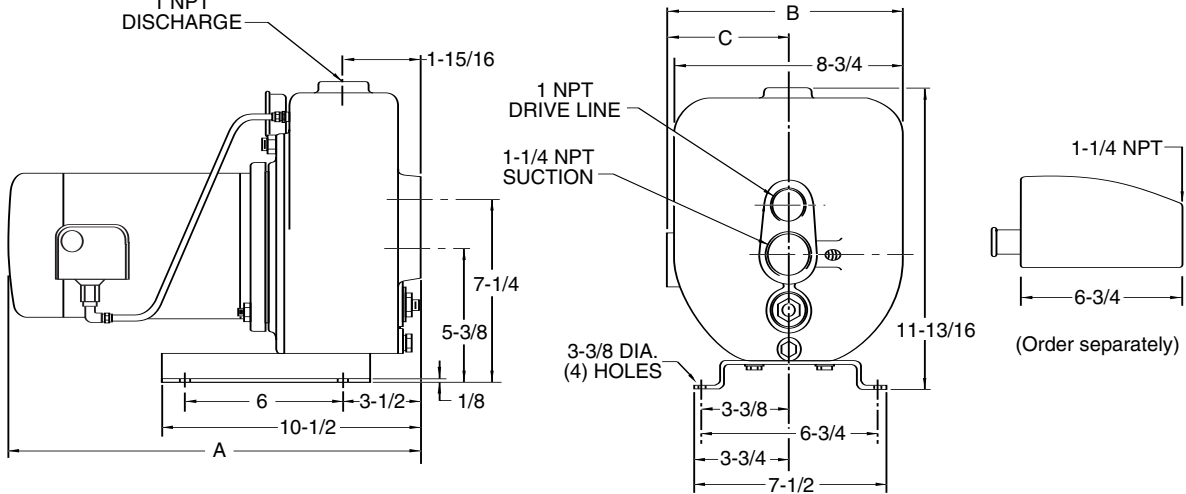
Catalog Number	HP	Total Suct. Lift Ft.	Discharge Pressure - PSI					Shut Off Pressure PSI
			20	30	40	50	60	
HMSD	3/4	5	37	30	24	15	-	60
		10	35	29	21	13	-	60
		15	33	27	19	9	-	60
		20	32	26	17	6	-	60
		25	31	24	15	-	-	60
HMSE	1	5	47	40	33	24	10	65
		10	46	38	31	21	7	65
		15	44	36	28	18	-	65
		20	42	35	26	15	-	65
		25	41	33	24	12	-	65
HMSF	1-1/2	5	60	53	46	36	23	68
		10	58	52	43	33	21	68
		15	56	49	41	30	16	68
		20	55	47	39	27	12	68
		25	54	41	36	25	-	68

Tested and rated in accordance with Water Systems Council standards.

NOTE: Pumps installed with a PRO-Source™ tank require a 100 PSI relief valve. Pumps installed with a conventional tank require a 75 PSI relief valve. Relief valve must be capable of relieving entire flow of pump at relief pressure.

OUTLINE DIMENSIONS

Cat. No.	A	B	C
HMSD	17-7/8	9-1/2	5-1/8
HMSE	18-3/4	9-1/2	5-1/8
HMSF	19-1/4	10	5-5/8



Dimensions (in inches) are for estimating purposes only.



horizontal multi-stage jet/centrifugal pumps

PUMP PERFORMANCE (Capacity in Gallons Per Minute)																		
DEEP WELL 2" SINGLE PIPE – 40 PSI																		
Cat. No.	HP	Jet No.	Uses Venturi	Uses Nozzle	Pumping Depth in Feet													
					20'	30'	40'	50'	60'	70'	80'	90'	100'	110'	120'	130'	140'	150'
HMSD	3/4	13AP	J32P-26	J34P-44	12.0	10.8	9.6	8.1	6.9	5.5								
		22AP	J32P-22	J34P-43					7.9	6.7	5.5	4.7	3.9	3.0				
		8AP	J32P-18	J34P-42									4.0	3.6	3.1	2.7	2.2	
HMSE	1	5AP	J32P-29	J34P-41	16.3	15.6	14.1	12.0	9.9	8.2	6.0							
		4AP	J32P-24	J34P-41					8.9	7.9	7.0	5.8	4.7	3.6	2.5			
		19AP	J32P-20	J34P-43										4.0	3.2	2.3	1.8	1.3
HMSE	1-1/2	15AP	J32P-33	J34P-41	20.0	18.5	17.0	13.6	10.4	7.6	5.0							
		2AP	J32P-26	J34P-41					10.6	9.2	8.0	6.0	4.5	3.7	3.0	2.2		
		23AP	J32P-20	J34P-44											4.3	3.5	2.7	2.4
DEEP WELL 3" SINGLE PIPE – 40 PSI																		
HMSD	3/4	17CP	J32P-29	J34P-44	12.8	11.5	10.2	8.9	7.6	6.1								
		18CP	J32P-24	J34P-44					7.8	6.9	6.0	5.3	4.5	3.6				
		16CP	Factory Installed										5.0	4.4	3.9	3.4	3.0	2.5
HMSE	1	7CP	J32P-32	J34P-41	17.8	16.2	14.6	13.0	11.4	9.6	7.7							
		9CP	J32P-26	J34P-41					10.7	9.8	9.0	7.9	6.7	5.8	5.0	4.1		
HMSE	1-1/2	10CP	J32P-38	J34P-45	21.7	19.7	17.9	15.9	14.0	11.0	8.0							
		9CP	J32P-26	J34P-41					11.1	10.8	10.6	9.7	8.9	7.5	6.5	5.5		
		19CP	Factory Installed	J34P-41										6.9	6.1	5.3	4.6	4.1
DEEP WELL 4" DOUBLE – 40 PSI																		
HMSD	3/4	CK2	J32P-29	J34P-44	12.8	11.5	10.2	8.9	7.6	6.1								
		CK2	J32P-24	J34P-44					7.8	6.9	6.0	5.3	4.5	3.6				
		15SD	Factory Installed										5.0	4.4	3.9	3.4	3.0	2.5
HMSE	1	CK3	J32P-32	J34P-41	17.8	16.2	14.6	13.0	11.4	9.6	7.7							
		CK3	J32P-26	J34P-41					10.7	9.8	9.0	7.9	6.7	5.8	5.0	4.1		
		CK1	J32P-20	J34P-43										5.0	4.5	3.9	3.5	3.0
HMSE	1-1/2	CK4	J32P-38	J34P-45	21.7	19.7	17.9	15.9	14.0	11.0	8.0							
		CK3	J32P-26	J34P-41					11.1	10.8	10.6	9.7	8.9	7.5	6.5	5.5		
		4SD	Factory Installed											6.9	6.1	5.3	4.6	4.1

Tested and rated in accordance with Water Systems Council standards.

NOTE: Pumps installed with a PRO-Source™ tank require a 100 PSI relief valve. Pumps installed with a conventional tank require a 75 PSI relief valve. Relief valve must be capable of relieving entire flow of pump at relief pressure.